

Peanut[®]

By

saltfire[™]



Introduction

Wood stove technology and the understanding of wood stove design and engineering has moved on a lot in recent years. Most stoves may look like similar black boxes, but what goes on inside the burn chamber can be very different. The Saltfire Stoves Group is at the forefront of innovations in wood stove combustion and The Peanut range is the result of Saltfire's latest developments in clean-burning, high efficiency stove technology. Created at Saltfire Stoves Group Innovation Centre in Wareham, Dorset, they are designed to be very easy to operate, install and super easy to keep clean and maintain.

With a broad range of outputs on each model, you will have fingertip control to enjoy slower 'lazy flames', or a hotter 'roaring' fire, and anywhere in between – All whilst maintaining high efficiency using fewer logs but giving more heat when you need it. Available in several sizes and rated outputs, each with regular 'short' and 'tall' height options.

The Peanut range features all-cast-iron construction for maximum heat-retention and ultra-clean-burning, by keeping the belly of the fire hot even during 'low & slow' burning. Cast Iron construction also makes for an extremely rugged stove with long life. We know of many cast iron stoves still going strong after 100 years or more, so if you are thinking "how long will my stove last?" – think of it becoming a family heirloom to be handed down to your great grandchildren! Used since the very first invention of wood stoves, Saltfire have chosen to use the reliable qualities of cast iron, brought up to date with the latest innovations in wood combustion technology.

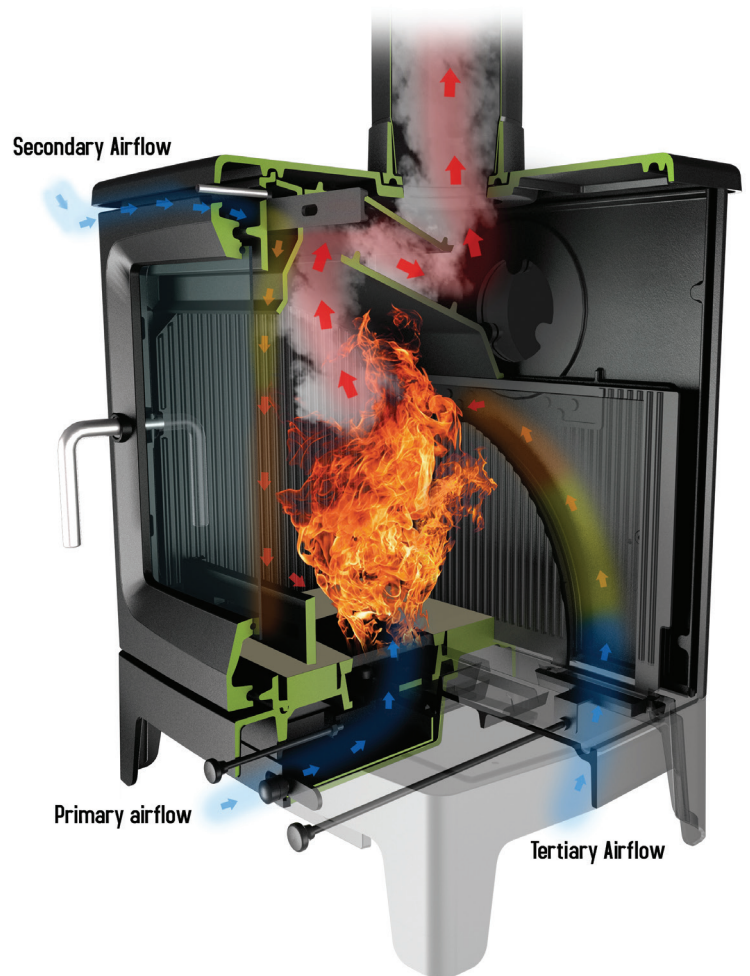
User Friendly

In addition to technical advancements in terms of Clean burn and future proofing legal 2022 Eco-design/ERP standards, Saltfire have made the Peanut range their most user friendly ever. With a powerful boosted stream of air under the fire bed for rapid ignition and refuelling. This is an Eco-design range that consumers will instantly get on with.

Sweep/Installer Friendly

Simple to install and clean/Sweep with easy removable innards.

- **Ecodesign 2022** Ready (future proofed)
- **5 Year Warranty**
- **DEFRA Exempt** / Approved for Smoke Control Areas
- **High Efficiency**, Ultra-Clean-Burning
- All Have **Large Viewing Window**
- Superior Air-wash System for **Crystal-Clear Views** of the Fire
- Full Cast Iron Construction
- Includes **Multi-fuel grate**
- External Access to Ashpan for Clean, **Easy Ash Removal**
- Can Use 5" (125mm) Flue System all the way
- Can be used with Top or Rear Flue outlet
- Suitable for use on a **12mm hearth**





Key Features

Nominal Heat Output	3kW
High Efficiency	✓
MultiFuel Ready	✓
Ultra Clean Burn	✓
Optimum Heat Output Range	1 to 3kW
Advanced Airwash	✓
Maximum Log Length	10"/(270mm)
5 Year Guarantee	✓
DEFRA Exempt for Smokeless Zones	✓
Large Viewing window	✓
Black Finish	✓
Flue Outlet Top or Rear	5"(125mm)
Room Vent Not Normally Needed	✓
Suitable for Use on 12mm Hearth	✓
2022 EcoDesign Ready	✓

PEANUT 3

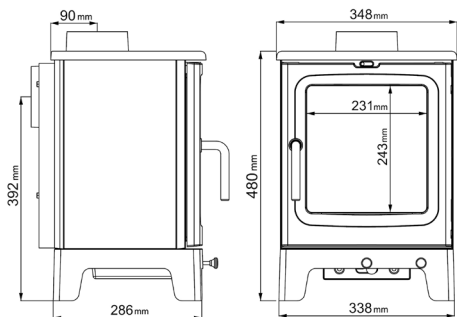
Rated at 3kW it has an easy variable output between 1 and 3kW. Its viewing window is big for a compact stove! 'Peanut-3' – can fit a 'standard small' UK chimney opening of 16" wide. – This can make tight installations so much simpler and easier – rarely would any building/ alteration work need to be done even with a small chimney opening.

Also ideal for boats and small spaces

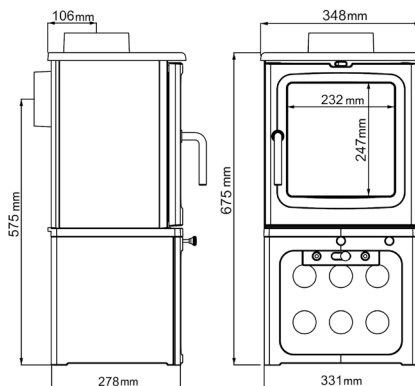
(See website for specification updates)

Available in short and tall options

SHORT DIMENSIONS



TALL DIMENSIONS





Key Features

Nominal Heat Output	5kW
High Efficiency	✓ 79.9%
MultiFuel Ready	✓
Ultra Clean Burn	✓
Optimum Heat Output Range	2 to 6 kW
Advanced Airwash	✓
Maximum Log Length	11"/(279mm)
5 Year Guarantee	✓
DEFRA Exempt for Smokeless Zones	✓
Large Viewing window	✓
Black Finish	✓
Flue Outlet Top or Rear	5"/(125mm)
Room Vent Not Normally Needed	✓
Suitable for Use on 12mm Hearth	✓
Fits standard 16" by 22" Opening	✓
2022 EcoDesign Ready	✓

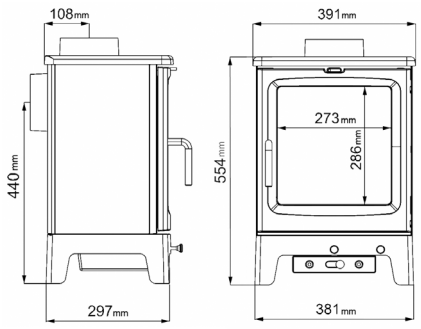
PEANUT 5

Rated at 5kW it can heat a decent sized room easily, with easy variable output between 1.5 and 5kW. Its viewing window is huge for a compact stove! 'Peanut-5' – can fit a 'standard small' UK chimney opening of 16" wide. – This can make some installations so much simpler and easier – rarely would any building/ alteration work need to be done even with a small chimney opening.

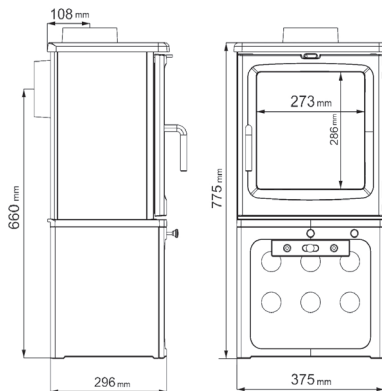
If you need something more compact see the Peanut 3

Available in short and tall options

SHORT DIMENSIONS



TALL DIMENSIONS



BIGNUT 5

A physically larger version, still rated at 5kW nominal (official output), but with the extra capacity, more physical size and takes longer logs. The Bignut-5 has a variable output range from 3kW up to a maximum of 8kW with easy to operate fingertip controls. A huge viewing window for superb views of the fire. Full cast-iron inner secondary lining plates (fire bricks), for maximum heat retention and are extremely robust.

Key Features

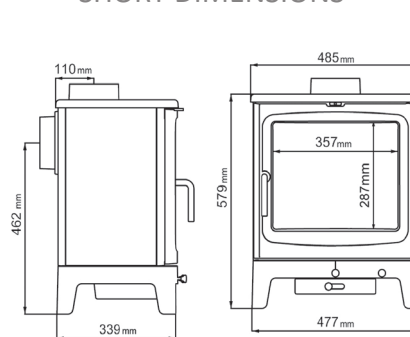
Nominal Heat Output	5kW
High Efficiency	✓ 80.1%
MultiFuel Ready	✓
Ultra Clean Burn	✓
Optimum Heat Output Range	3 to 8kW
Advanced Airwash	✓
Maximum Log Length	13"/(330mm)
5 Year Guarantee	✓
DEFRA Exempt for Smokeless Zones	✓
Large Viewing window	✓
Black Finish	✓
Flue Outlet Top or Rear	5"(125mm)
Room Vent Not Normally Needed	✓
Suitable for Use on 12mm Hearth	✓
2022 EcoDesign Ready	✓



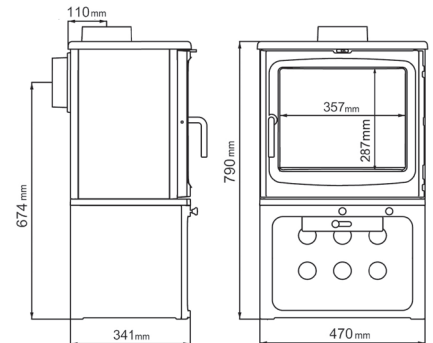
Available in short and tall options



SHORT DIMENSIONS



TALL DIMENSIONS



PEANUT 8

A larger capacity version with the same huge viewing window as the Bignut. For those rooms which require something a bit larger or for larger fireplace openings. The Peanut-8 has variable output range from 3kW up to a maximum of 10kW with easy to operate fingertip controls. A huge viewing window for superb views of the fire. Full cast-iron inner lining plates (fire bricks), for maximum heat retention and are extremely robust.

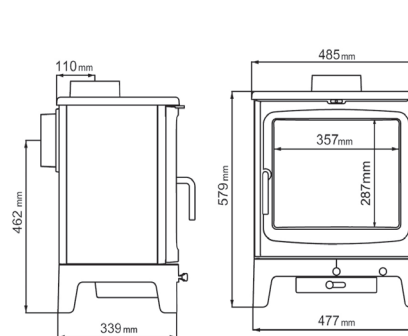
Available in short and tall options

Key Features

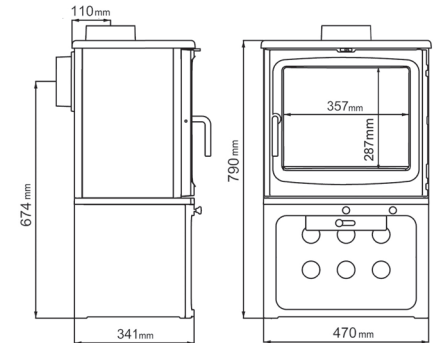
Nominal Heat Output	7.9kW
High Efficiency	✓ 77.9%
MultiFuel Ready	✓
Ultra Clean Burn	✓
Optimum Heat Output Range	3 to 9kW
Advanced Airwash	✓
Maximum Log Length	15" (381mm)
5 Year Guarantee	✓
DEFRA Exempt for Smokeless Zones	✓
Large Viewing window	✓
Black Finish	✓
Flue Outlet Top or Rear	5" (125mm)
Suitable for Use on 12mm Hearth	✓
2022 EcoDesign Ready	✓



SHORT DIMENSIONS



TALL DIMENSIONS



The Saltfire Peanut Range DEFRA + EcoDesign



Peanut 3

Peanut 5

Bignut 5

Peanut 8



www.saltfire.co.uk - Tel: 01929 555211 - Email: enquiries@saltfire.co.uk